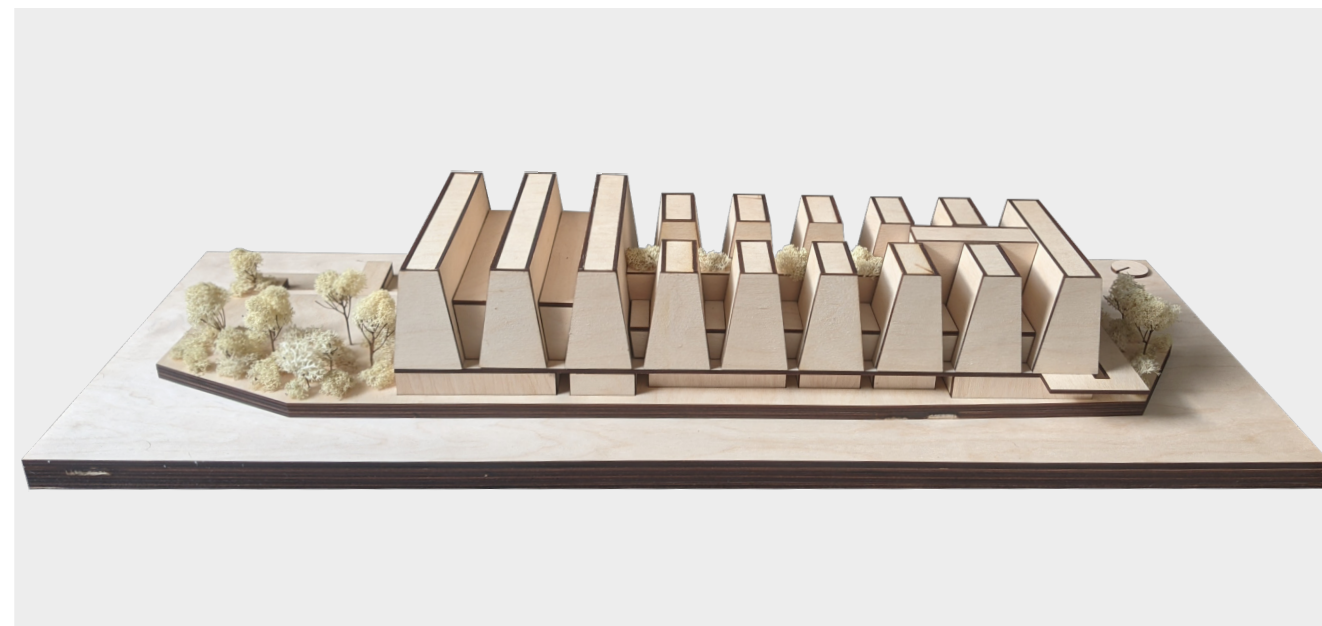


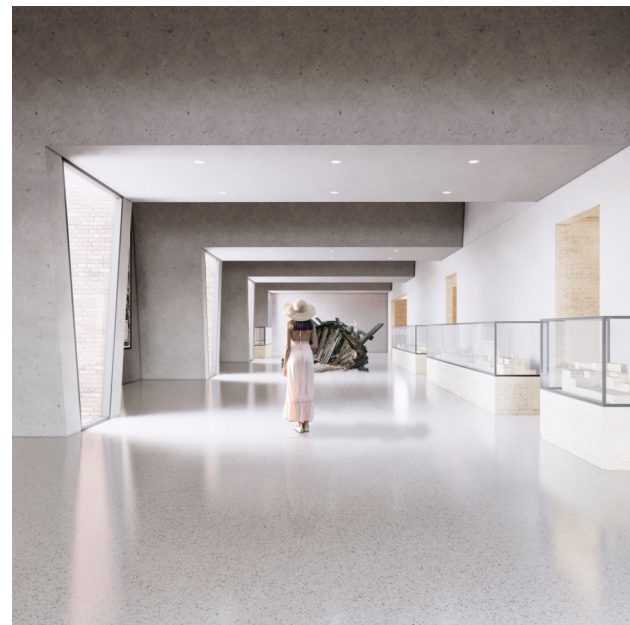
Plan



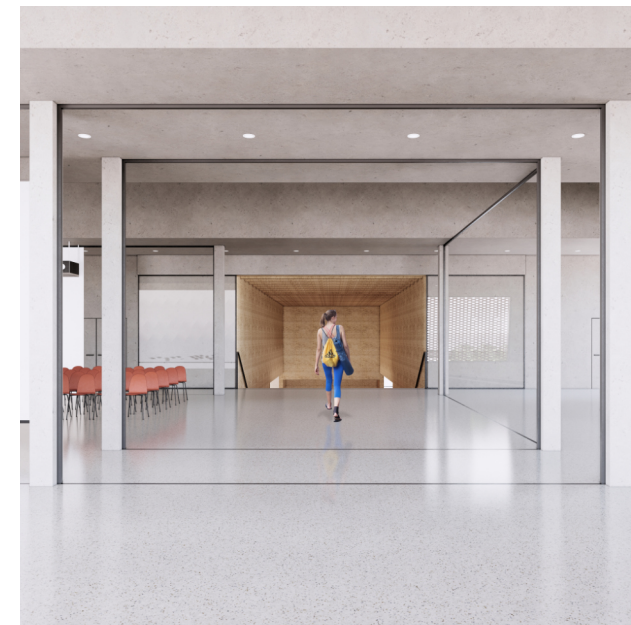
Physical model - eastern facade



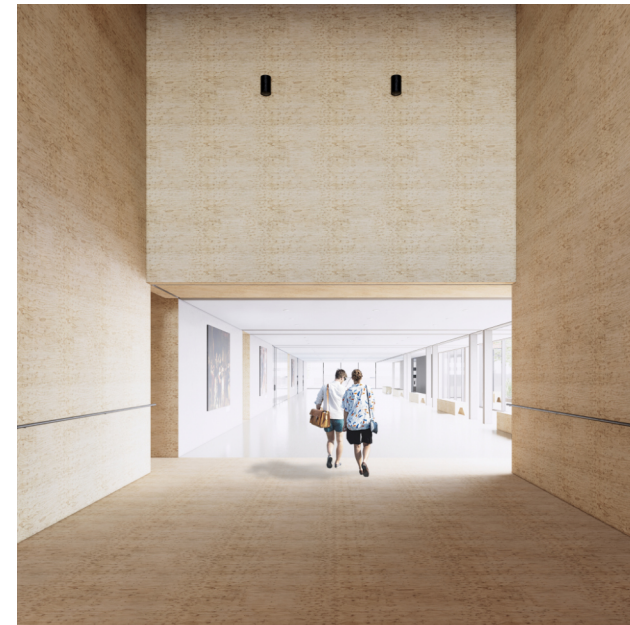
Physical model - western facade



Long gallery view



Main gallery view



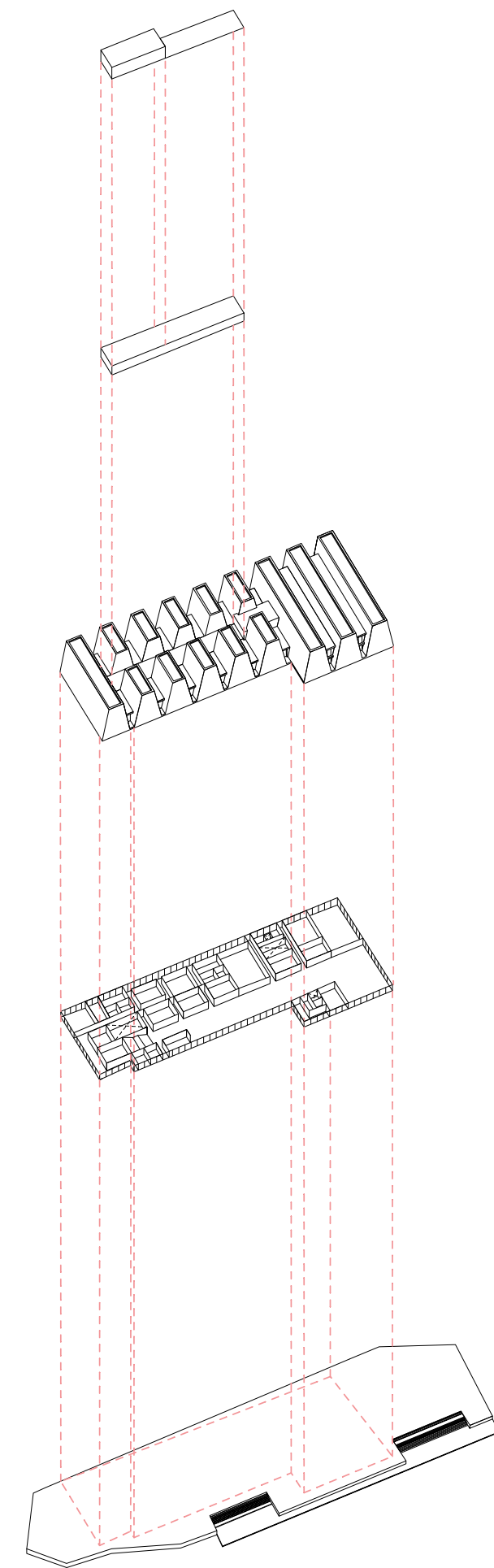
Ground floor view (from the staircase to the first floor)



Main plaza view

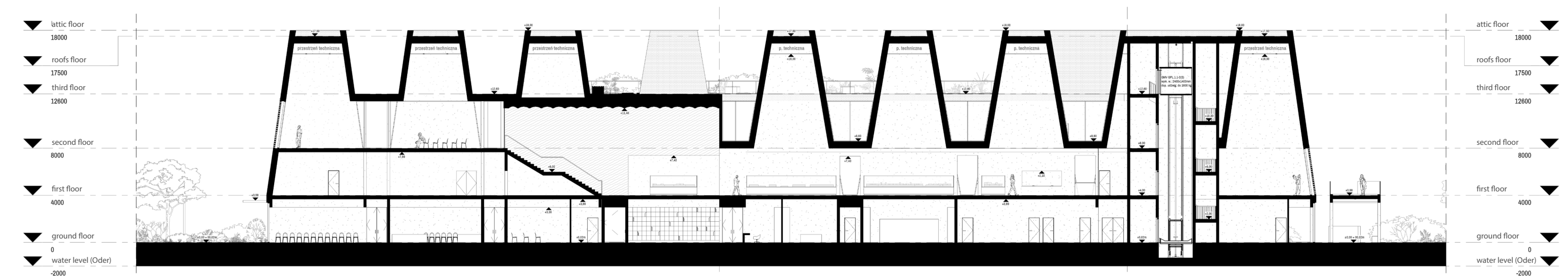


Garden on the roof



Functionality scheme

- third floor - garden on the roof**
with sanitary facilities
- second floor - administration:**
 - offices,
 - social rooms;
- first floor - museum:**
 - two long galleries,
 - main gallery,
 - warehouse,
 - development facilities, workshops and social rooms,
 - sanitary facilities;
- ground floor - multifunctional space:**
 - part-time exhibition space,
 - two conference halls,
 - multimedia room,
 - library,
 - bar,
 - gift shop,
 - development facilities, workshops and social rooms,
 - warehouse;
- site plan:**
 - big plaza allowing for occasional special events,
 - lower deck linking main plaza and part-time exhibition space,
 - garden for employees on the back (under observation deck);



Main section (A-A)

BDA-SARP-AWARD 2021

Szymon Zajäckowski, West Pomeranian University of Technology, dr hab. inż. arch. Krzysztof Bizio, prof. ZUT